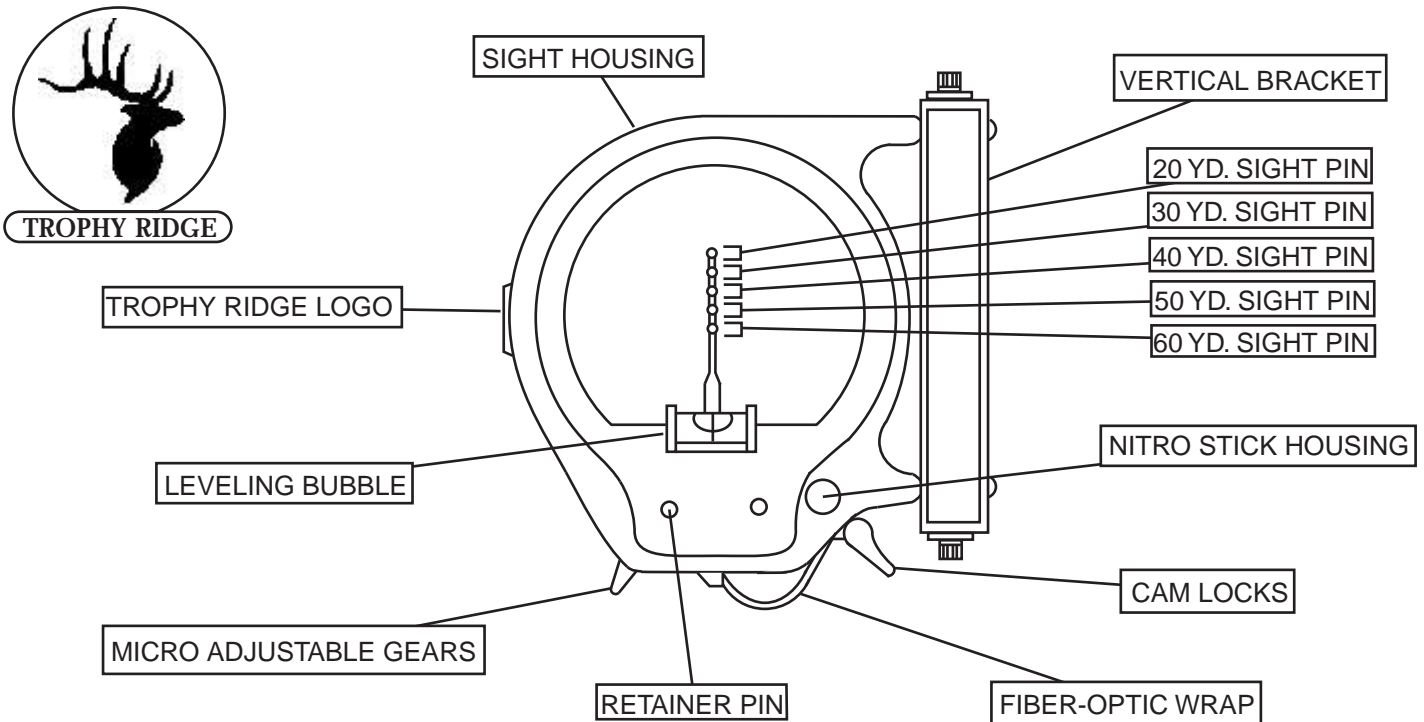
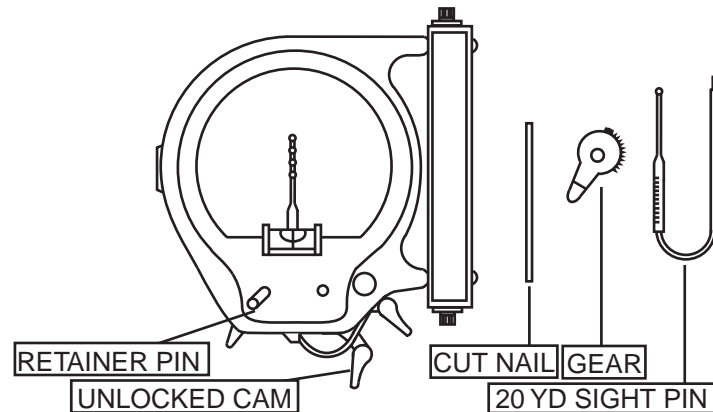


FOR ALL MODELS OF FLATLINER, AND FLATLINER XTREME- LEFT AND RIGHT MODELS!



## REMOVING A SIGHT PIN:

- (1) Use a punch or press to move the RETAINER PIN past the pins' gear that you wish to remove. This will release the gear from the housing, and you will be able to remove it. (We will remove the 20 YD. PIN in this example.)
- (2) With the gear out, unlock the pins' CAM LOCK. (There is no need to remove the CAM.) After the GEAR is removed and the CAM is UNLOCKED, you will be able to remove the SIGHT PIN and FIBER-OPTIC WRAP. This will remove the SIGHT PIN from the SIGHT HOUSING. The pins will slide out of the bottom of the SIGHT HOUSING easily.



**NOTE:** The SIGHT PIN and FIBER-OPTIC WRAP are no longer useable to reinsert into another SIGHT HOUSING.

**TIP:** A two and one half inch 8 penny finishing nail with the head and point cut off makes an excellant tool for repairing a TROPHY RIDGE FLATLINER OR XTREME BOWSIGHT!

To remove all SIGHT PINS: completely remove the RETAINER PIN and all the GEARS. Unlock all the CAM LOCKS, then unwrap the FIBER-OPTICS, and remove the SIGHT PINS from the SIGHT HOUSING.

To remove a broken SIGHT PIN in the middle of the SIGHT HOUSING move the RETAINER PIN out enough to drop out the GEAR on the SIGHT PIN you wish to remove. Unlock the CAM LOCK only for the pin you are removing. Unwrap the FIBER-OPTIC and remove the SIGHT PIN from the SIGHT HOUSING.

Replacement SIGHT PINS and all SIGHT ACCESSORIES can be purchased online at [WWW.TROPHYRIDGE.COM](http://WWW.TROPHYRIDGE.COM)

Before you return ANY sight to us for custom building or repair, call 1-406-388-7781 for a Return Authorization (RA) number. The total cost of in house repair including shipping is \$13.95. That cost is subject to change without notice or notification. Our warranty does not cover abuse or any arrow contact with the SIGHT HOUSING, or SIGHT PINS including FIBER-OPTICS.